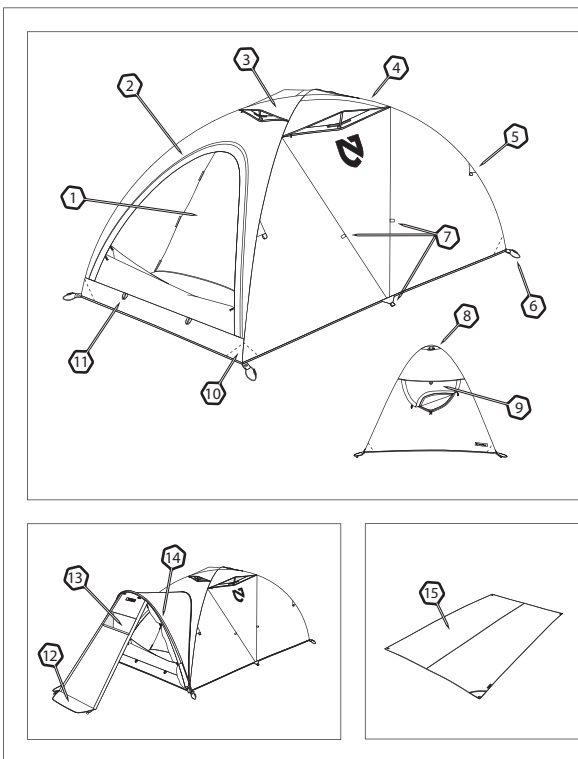


TENSHI™



©2006 NEMO Equipment, Inc.



OVERVIEW

Tenshi™

1. Removable Condensation Curtain
2. Waterproof Zipper for Vestibule Attachment
3. Internally Deployable Strutted Vents
4. Pressure Porting™
5. Guy-out Point
6. Replaceable Anchors
7. Triangulated Guy-out Points
8. Sleep Tight Anchor Transfer™ (STAT™) System
9. Rear Window
10. Hypalon® Reinforced Corner Pockets
11. Front Door Tie-backs

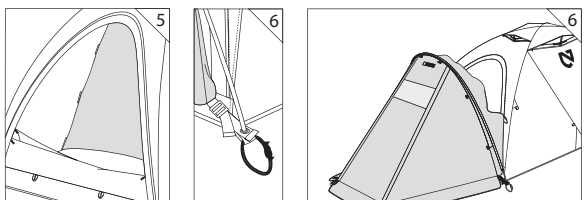
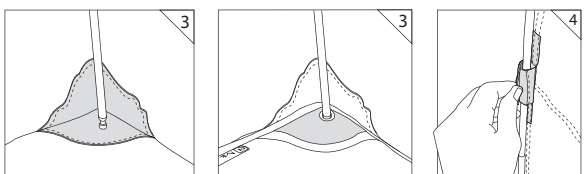
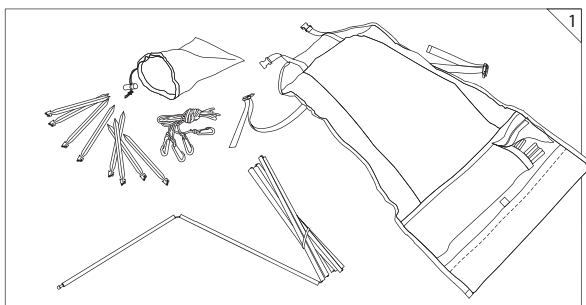
Vestibule and Removable Insulated Floor™

12. Snow Skirt
13. PU Weather Checking Window
14. Vestibule Door Tie-backs
15. Removable Insulated Floor (RIF™)

www.nemoequipment.com

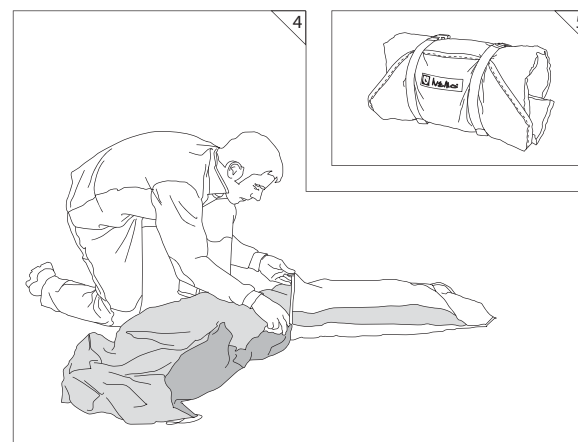
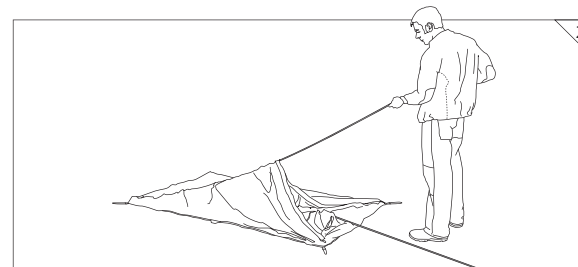
NEMO EQUIPMENT
 100 Factory Street, Nashua, NH 03060
 Phone/Fax: 1-800-997-9301/ 603-881-9358
 E-mail: journey@nemoequipment.com

*Patents Pending



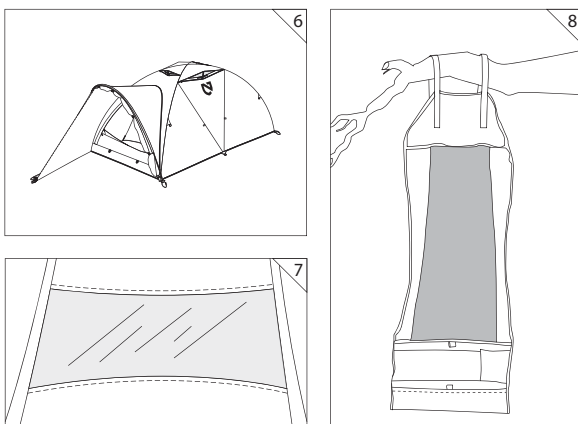
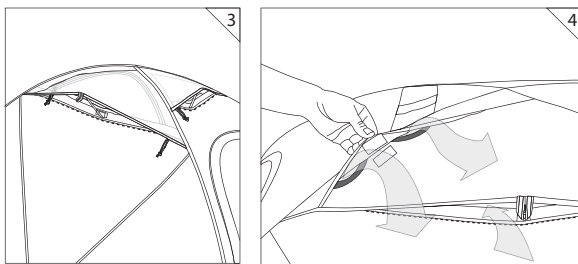
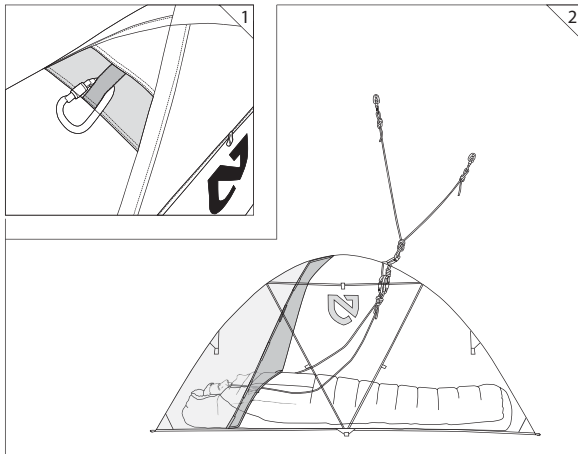
SET UP

- 1 Lay out the contents of Tenshi™ and make sure that you received your tent and all of the following items: vestibule, condensation curtain, stuff sack, 2 straight poles, vestibule pole, 8 stakes, guy lines, Seamgrip® with nozzle, and pole repair sleeve.
- 2 Seam sealing adds strength and waterproofness to the tent. It needs at least 24 hours to cure before using. See Care and Field Repair section for more information.
- 3 Begin the setup of your tent by staking it out. This will help prevent the tent from blowing away. The corners of the tent are reinforced with Hypalon® to receive the ends of the poles. If applicable, slide the RIF into Tenshi™ with the shiny sil-nylon side down and the orange corner up. Place poles through the corner grommets.
- 4 With both poles secured in the Hypalon® corners, use the Velcro wraps to secure them along the inside of the tent shell.
- 5 To use the Condensation Curtain, match the Velcro on the curtain to the Velcro on the inside of Tenshi™.
- 6 To set up the optional vestibule, insert the pre-bent pole into the vestibule pole sleeve. Place each pole tip in the grommet at the end of the vestibule and front corners of Tenshi. Zip the vestibule to the tent. Stake out the corners of the vestibule.



TAKE DOWN

- 1 To take Tenshi™ down, first remove all gear (including the vestibule, condensation curtain and RIF) and as much moisture as possible. Water will add weight to your pack and can lead to mildew.
- 2 If the pole wraps are stuck to the poles, it may be necessary to detach them before removing the poles. Pull the poles straight out. If the pole sections have frozen together, simply warm them in your gloved hand for a minute or two and they should separate easily.
- 3 Try to clean as much dirt and debris from your tent as possible before packing it. This will help preserve the breathability of the tent fabrics and reduce overall wear and tear.
- 4 With your foot on the accessory pocket of the stuff sack, stuff the tent into the large mesh pocket.
- 5 Place the poles inside the pole pocket, and roll the stuff sack up securing it with the compression straps. The Tenshi stuff sack also works very well as a hanging drying bag. See the features section for more information.
- 6 Remember to leave no trace even in winter. Before leaving your campsite take a thorough look around making sure you have not left anything behind, out of place, or damaged.



FEATURES

1 When you are perched high on a ledge for the night or camped out on a 30° slope, the Sleep Tight Anchor Transfer™ (STAT™) provides a waterproof, convenient, and direct transfer of your anchor into the tent without compromising strength. By making a direct route for your rope, it all but eliminates slack in the system.

2 Normal breathing will create a good deal of moisture inside your tent. Most will escape through the breathable tent shell, but as with all tents, some moisture may condense on the surface. The Condensation Curtain helps keep moisture and frost contained in a small portion of the tent. Use the vents and the front door to keep as much of the moisture moving out of the tent as possible. The curtain also has its own tie-back loop if you wish to hold it out of the way.

3 Tenshi™ has three internally deployable overhead vents, as well as a large mesh back window, for added control of air circulation. From the outside, unzip the vent edges and position the strut by connecting its end to the Velcro on the tent. If the weather is bad, the vent can be opened or closed through access zippers inside the tent.

4 Pressure Porting™ is a patented system that relieves a degree of wind load on vents while maintaining their waterproofness.

5 The full vestibule is great for storing wet or dirty gear. It also provides open-air protection in the rain and adds a dry entry.

6 On sunny days the vestibule can be removed or retracted. While deployed, you can choose which doors to close and which to keep open. To keep doors rolled in place, put the cord locks through their respective webbing loops and pull tight.

7 Peak out the front window in Tenshi's™ vestibule to get the weather report, or on clear nights enjoy star gazing from inside.

8 Your Tenshi™ stuff sack also works very well as a hanging drying bag. The dark color of the stuff sack will absorb heat from the sun and the mesh allows the moisture to escape. Hang your stuff sack from a branch, trekking poles, skis, or lay it out on a rock while you pack up the rest of your camp.

CARE & FIELD REPAIR

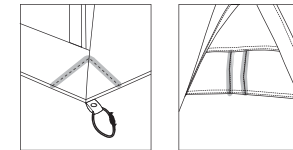
Tips for Your Tent's Longevity:

- △ Avoid rough ground, especially rocks and pavement.
- △ Make sure it is clean and dry before packing the tent.
- △ Store the tent unpacked to allow air circulation.
- △ Occasionally inspect the tent for wear and tear.
- △ Don't store the tent exposed to UV light.

Seam Sealing

△ "I woke up in a puddle!"

Did you seam seal your tent? The bottom corners of Tenshi are designed to be extremely strong, but this prevented the use of seam tape. It is necessary to seam seal these areas to make the tent watertight. Seamgrip® can be used on all exterior sewn seams, especially the bottom corners of the tent and the STAT™, which are the only seams in the tent without internal seam tape. **Allow to dry overnight.** Note that Seamgrip® can stick to itself even after curing, so it is best to lightly dust fully cured areas with talcum powder. Please visit www.mcnett.com for more information.



REPAIR

If you have any problems with a NEMO product, please contact Rainy Pass Repair, Inc., the industry leader in outdoor product care for repair or replacement. If you have any questions regarding warranty and repair, or if you need to send a product in for service, please call Rainy Pass. It is not necessary to clean the item before sending, but it will be appreciated if you remove any excessive soiling. Rainy Pass will be happy to give you advice about safely cleaning your product. Please provide the following when you send a NEMO product to Rainy Pass:

- △ A note with your name, phone number, address, email and problem description. A repair form can be downloaded at: www.nemoequipment.com/pdf/NEMO_repairform.pdf
- △ Please remove all of your personal items and mark all damaged areas on the product with masking tape.
- △ Pack the product in a sturdy cardboard box with plenty of room. If possible, use the original box to reduce waste.

Ship to:
Rainy Pass Repair, Inc.
5307 Roosevelt Way, NE
Seattle, WA 98105

To contact Rainy Pass:
Phone: 1 (888) 747-7867
Email: repair@rainypass.com
www.rainypass.com

If you live in the Seattle area, you can call Rainy Pass locally at (206) 523-8135 and visit their shop during the following hours: M,T,W,F 9am-6pm and Th 9am-7pm.

Fabric

△ "I sliced my tent while digging it out during a storm!"

Damaging tents while shoveling them out on big mountains is a common problem. Take care when using sharp tools near your tent! Remember that your tent is your home in the mountains and it's made of lightweight fabric. Shovel most of the snow away and shake the rest off the tent or cover your shovel with a stuff sack or length of tape to protect the tent fabric from the shovel's sharp edges. Small tears can be reinforced with Seamgrip®. Larger areas can be hand-stitched and sealed with Seamgrip®, or you can send your tent to Rainy Pass for repair. (See information below)

△ "My tent has a mildew smell."

Always pack and store your tent dry! Mildew is not only smelly and bad for the tent materials, it is also unhealthy. Contact Rainy Pass Repair (see below) for advice about safely removing mildew.

Poles

△ "My tent was caught in an avalanche and one of the poles was broken!"

The best way to fix a broken pole is with the repair sleeve that came with your tent. If the pole is cracked or broken cleanly, the repair sleeve should slide in place over the damaged area. If the pole is bent or has a burr around the break, it may be necessary to cut or file the damaged area. A temporary fix may be possible by taping another pole or extra tent stake alongside the damaged area. Contact NEMO to order replacement poles.

WARRANTY

NEMO guarantees every product we sell. We put a great effort into choosing the best materials and providing you with the highest level of workmanship. If one of our products does not meet your expectations during its useful life, we promise to repair it, replace it, exchange it, or give you a refund. NEMO does not warranty products against normal wear and tear, unauthorized modifications or alterations, improper use, improper maintenance, misuse or neglect or if the product is used for a purpose for which it is not intended. Except as expressly set forth in these terms and conditions, NEMO is not liable for any direct, indirect or consequential damages arising out of or resulting from the use of a NEMO product. The warranties set forth in these terms and conditions are in lieu of all other warranties, express or implied, including without limitation, implied warranties of merchantability or fitness for a particular purpose.

! WARNINGS

Mountaineering and alpinism are inherently dangerous. Use the Sleep Tight Anchor Transfer™ at your own risk. Note the STAT™ is intended only to provide a weatherproof barrier. It is not an anchor by itself and adds no structural benefit to an anchor system. Improper use can result in injury or death.

Keep tent away from open flames or smoldering camp fires

Maintain adequate ventilation inside tent

Avoid campsites with danger of falling rocks or tree limbs, lightning strikes, flash floods, avalanches or other hazards

In extreme weather make sure all stakes and guy-outs are secure

Do not store food inside of tent

Store tent in a dark, dry area away from UV light